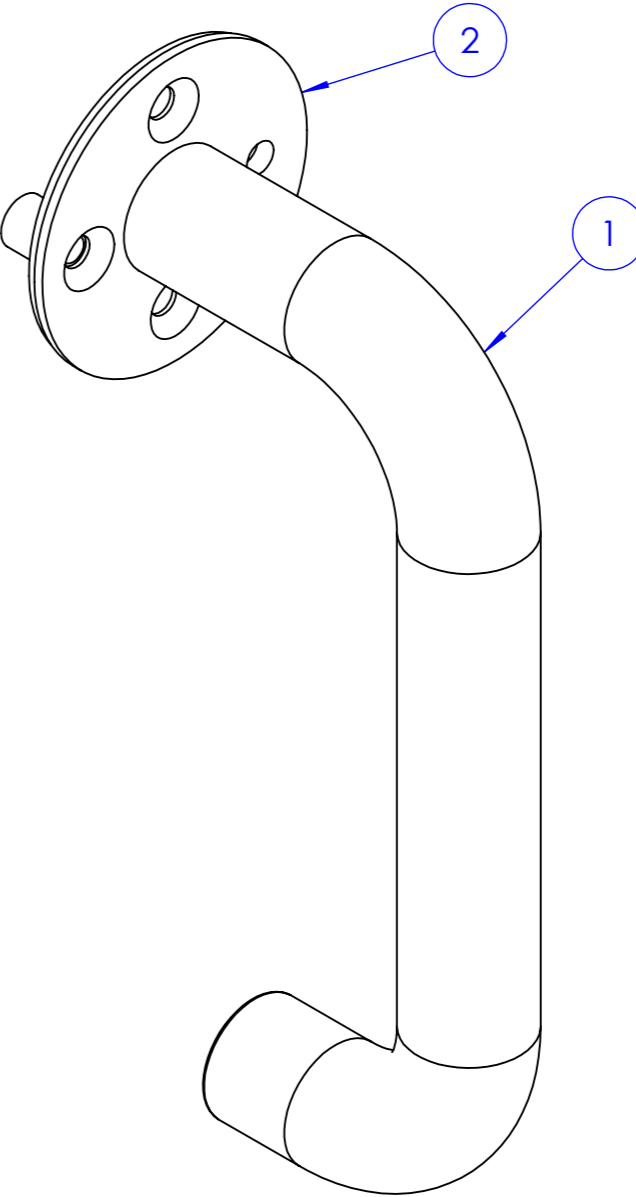
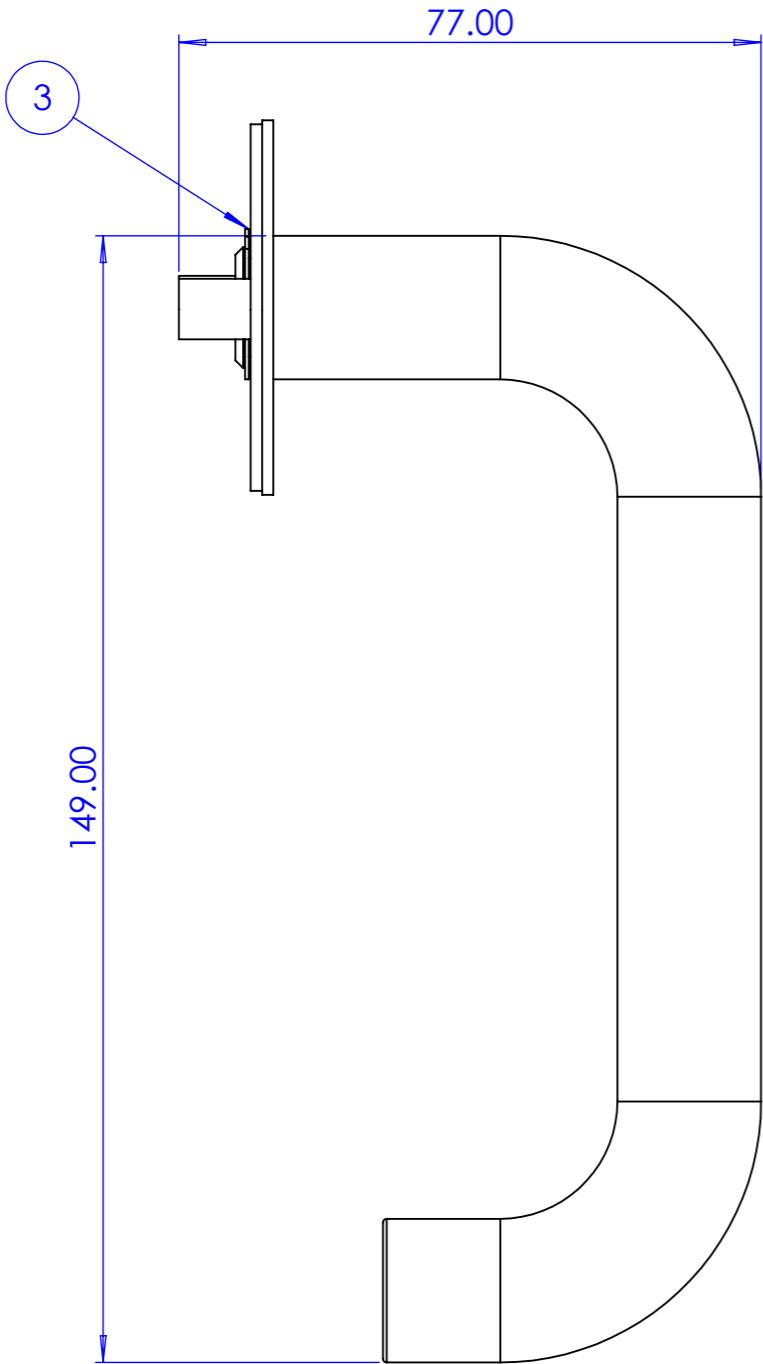
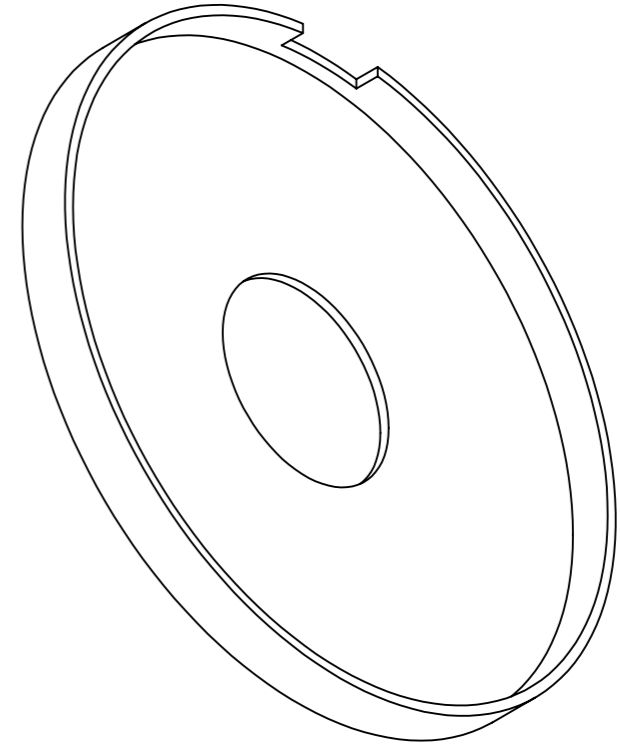
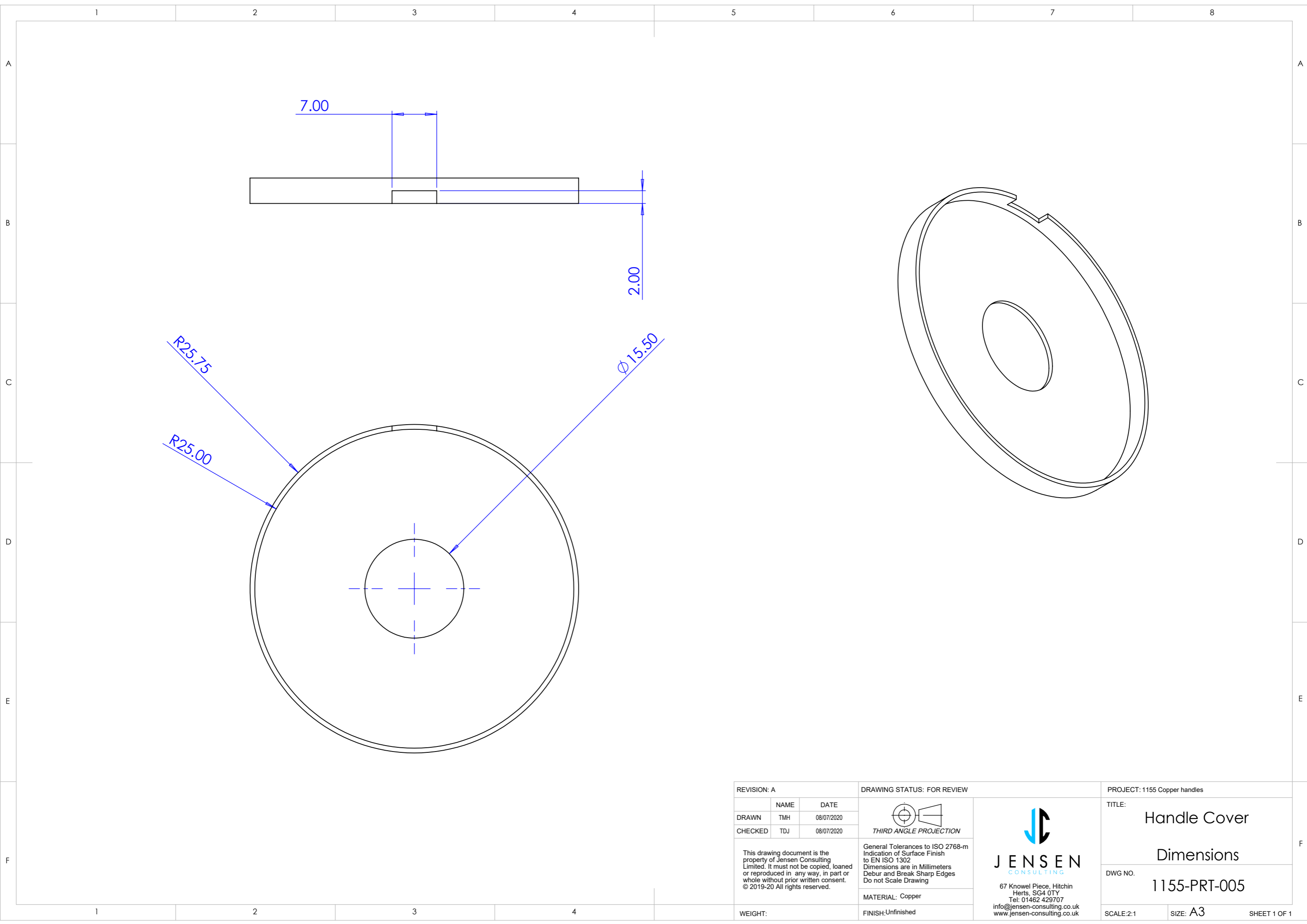
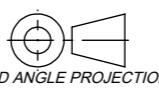



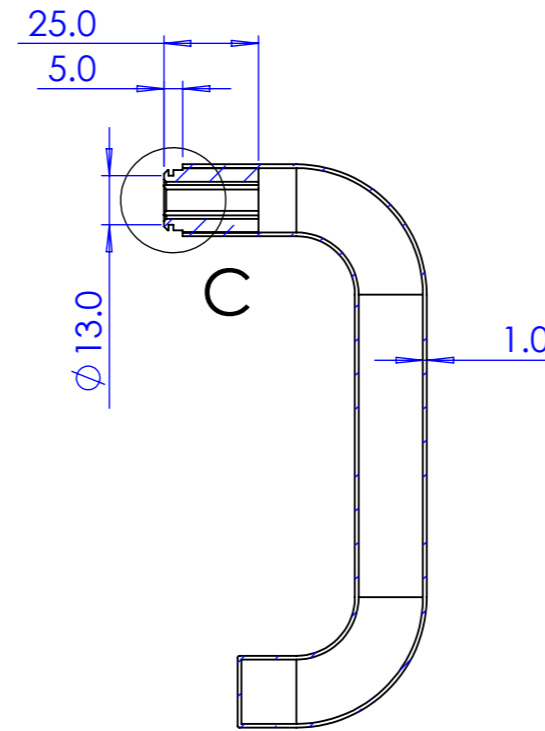
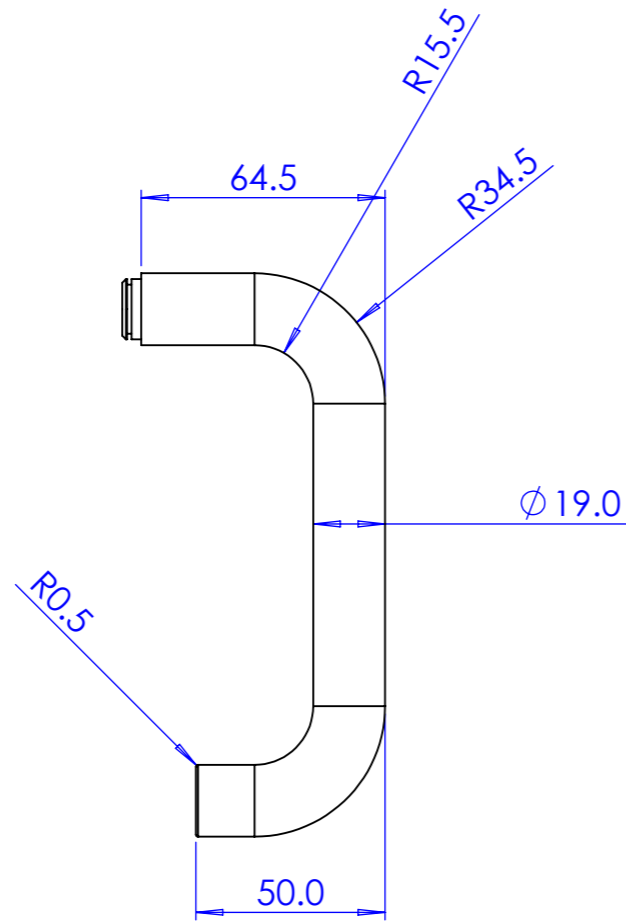
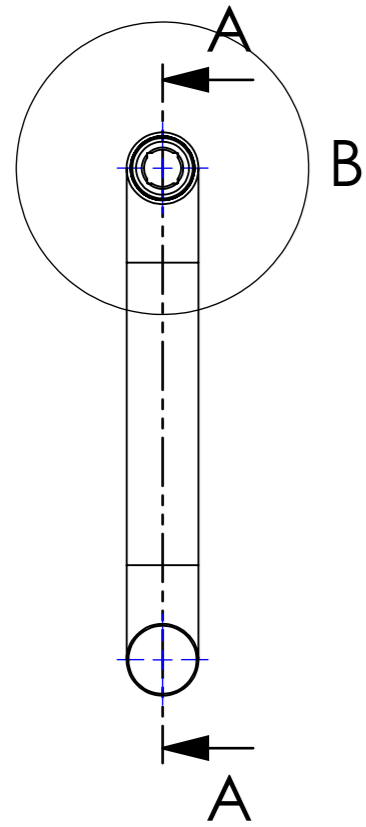
ITEM NO.	PART NUMBER	DESCRIPTION	QTY.
1	1155-PRT-003	Handle 1	1
2	1155-PRT-004	Screw Base	1
3	Cir Clip	Cir Clip	1



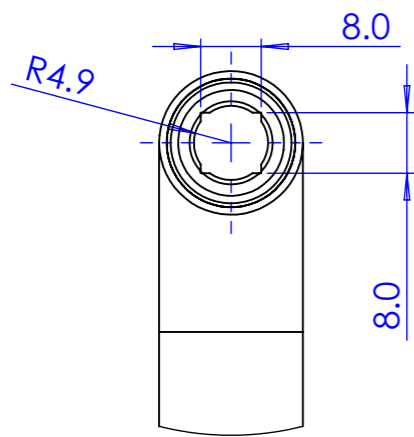
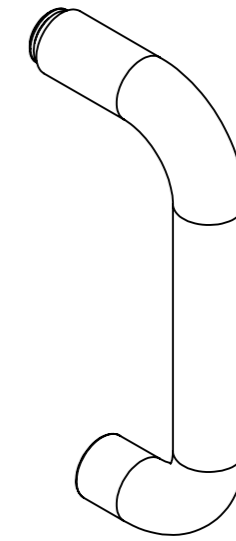
REVISION: A		DRAWING STATUS: FOR REVIEW		PROJECT: 1155 Copper handles	
	NAME	DATE	 THIRD ANGLE PROJECTION	 JENSEN CONSULTING	
DRAWN	TMH	08/07/2020			
CHECKED	TDJ	08/07/2020		TITLE: Handle 1 GA	
This drawing document is the property of Jensen Consulting Limited. It must not be copied, loaned or reproduced in any way, in part or whole without prior written consent. © 2019-20 All rights reserved.			General Tolerances to ISO 2768-m Indication of Surface Finish to EN ISO 1302 Dimensions are in Millimeters Debur and Break Sharp Edges Do not Scale Drawing		DWG NO. 1155-ASY-001
WEIGHT:			MATERIAL: Copper		
			FINISH: Unfinished		SCALE: 1:1
					SIZE: A3
					SHEET 1 OF 1



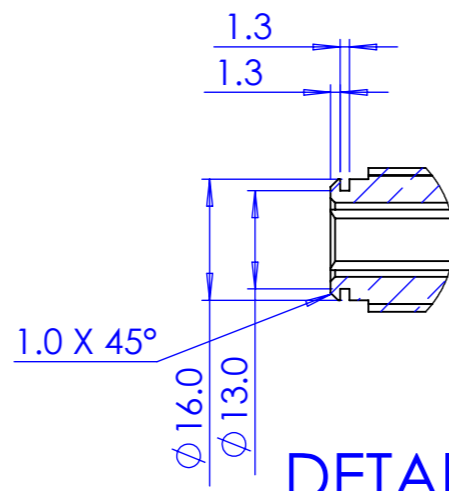
REVISION: A		DRAWING STATUS: FOR REVIEW		PROJECT: 1155 Copper handles	
	NAME	DATE	 THIRD ANGLE PROJECTION	 JENSEN CONSULTING	TITLE: Handle Cover
DRAWN	TMH	08/07/2020			Dimensions
CHECKED	TDJ	08/07/2020			DWG NO. 1155-PRT-005
This drawing document is the property of Jensen Consulting Limited. It must not be copied, loaned or reproduced in any way, in part or whole without prior written consent. © 2019-20 All rights reserved.			General Tolerances to ISO 2768-m Indication of Surface Finish to EN ISO 1302 Dimensions are in Millimeters Debur and Break Sharp Edges Do not Scale Drawing	67 Knowel Piece, Hitchin Herts. SG4 0TY Tel: 01462 429707 info@jensen-consulting.co.uk www.jensen-consulting.co.uk	SCALE: 2:1
WEIGHT:		FINISH: Unfinished		SIZE: A3 SHEET 1 OF 1	



SECTION A-A



DETAIL B
SCALE 1:1



DETAIL C
SCALE 1:1

REVISION: A		DRAWING STATUS: FOR REVIEW		PROJECT: 1155 Copper handles	
	NAME	DATE	 THIRD ANGLE PROJECTION	 JENSEN CONSULTING	TITLE:
DRAWN	TMH	08/07/2020			Handle 1
CHECKED	TDJ	08/07/2020			Dimensions
This drawing document is the property of Jensen Consulting Limited. It must not be copied, loaned or reproduced in any way, in part or whole without prior written consent. © 2019-20 All rights reserved.			General Tolerances to ISO 2768-m Indication of Surface Finish to EN ISO 1302 Dimensions are in Millimeters Deburr and Break Sharp Edges Do not Scale Drawing	67 Knowel Piece, Hitchin Herts. SG4 0TY Tel: 01462 429707 info@jensen-consulting.co.uk www.jensen-consulting.co.uk	DWG NO.
WEIGHT:		FINISH: Unfinished			MATERIAL: Copper
					SCALE: 1:2
					SIZE: A3
					SHEET 1 OF 1