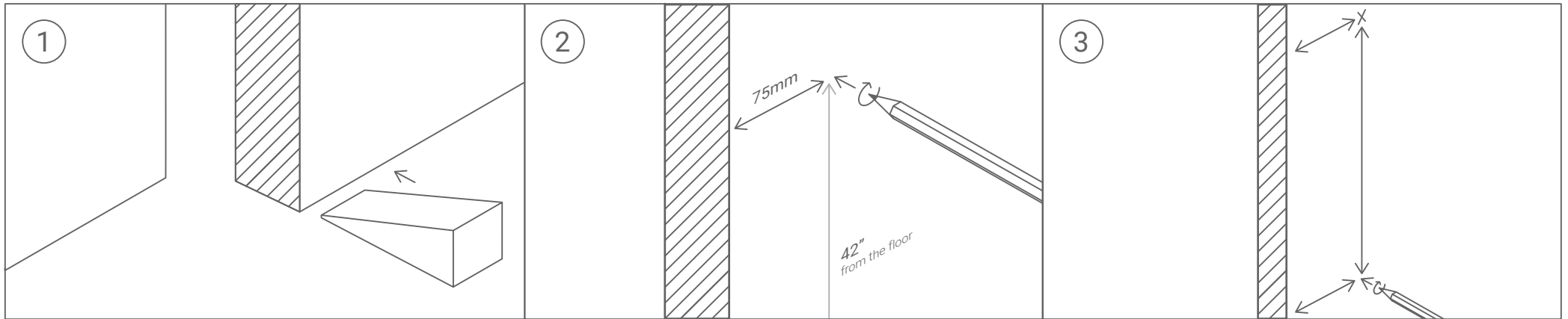


D Handle Fitting Instructions

ProEconomy|orca

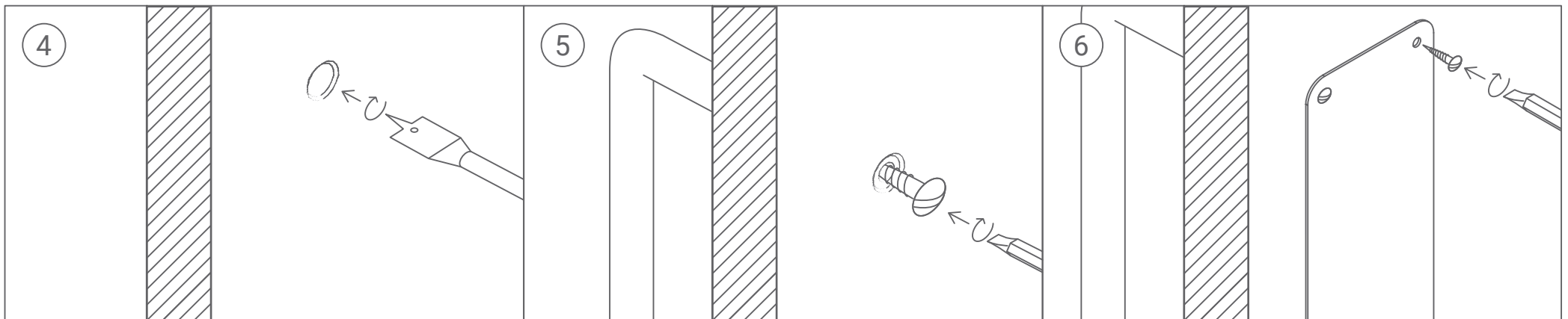
Copper and Silver Water Treatment



1 Open the door and stabilize it with a doorstop under the outer edge of the door.

2 Raise or lower the handle as necessary, so the center of the handle from top to bottom is at arm level, or approximately 42 inches from the floor. Mark your top hole 75mm from the edge of the door.

3 Measure between the threads of the handle and transfer the corresponding measurement from the top hole to mark the bottom hole. Repeat this process on the reverse of the door using a slide square to ensure your marks align correctly.



4 On the opposite side that the handle will be positioned, use a 16mm spade bit to drill 4mm into the door creating a countersunk hole for the bolts. Next, use a 3mm drill bit to drill pilot holes from either side of the door. Repeat this process using a 10mm drill bit in order to fit the bolts provided through the door.

5 Set up a power or cordless drill with a screw-tip attachment. Position the handle on the door and aligned with the holes. Attach the handle to the door ensuring the bolt is flush to the surface.

6 For the opposite side of the door, we advise you position a push plate vertically on the reverse covering the bolts of the handle.

When fitting, mark the door for screws at each of the machined holes in the plate with a pencil. Attach the plate to the door with the provided screws at each hole.