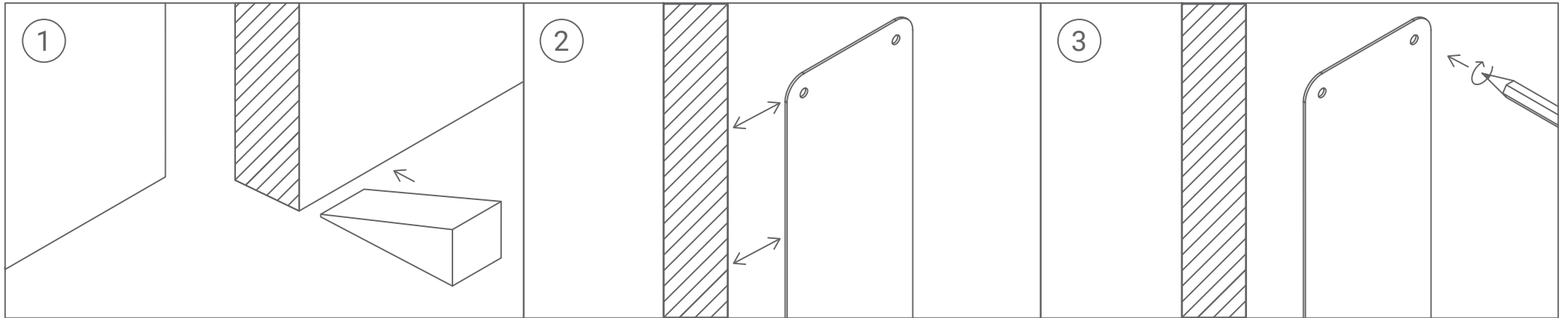


# iBex Push Plate Fitting Instructions

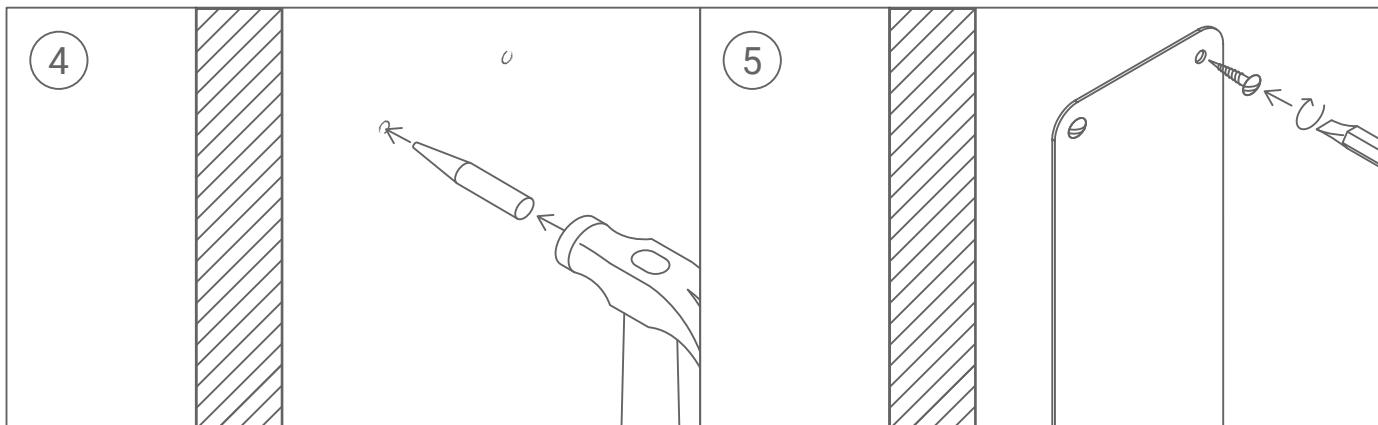
ProEconomy | iBex



1 Open the door and stabilize it with a doorstop under the outer edge of the door.

2 Position a push plate vertically at the face of the door with one edge 1.5 inches from the outer edge of the door. Raise or lower the plate as necessary, so the center of the plate from top to bottom is at arm level, or approximately 42 inches from the floor.

3 Mark the door for screws at each of the machined holes in the plate with a pencil. Set aside the plate.



4 Make small starter dimples for screws in the face of the door at each mark with a nail set and hammer.

5 Set up a power or cordless drill with a screw-tip attachment. Position the plate at the door and align the machined holes with the starter dimples. Attach the plate to the door with one of the provided screws at each hole