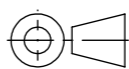

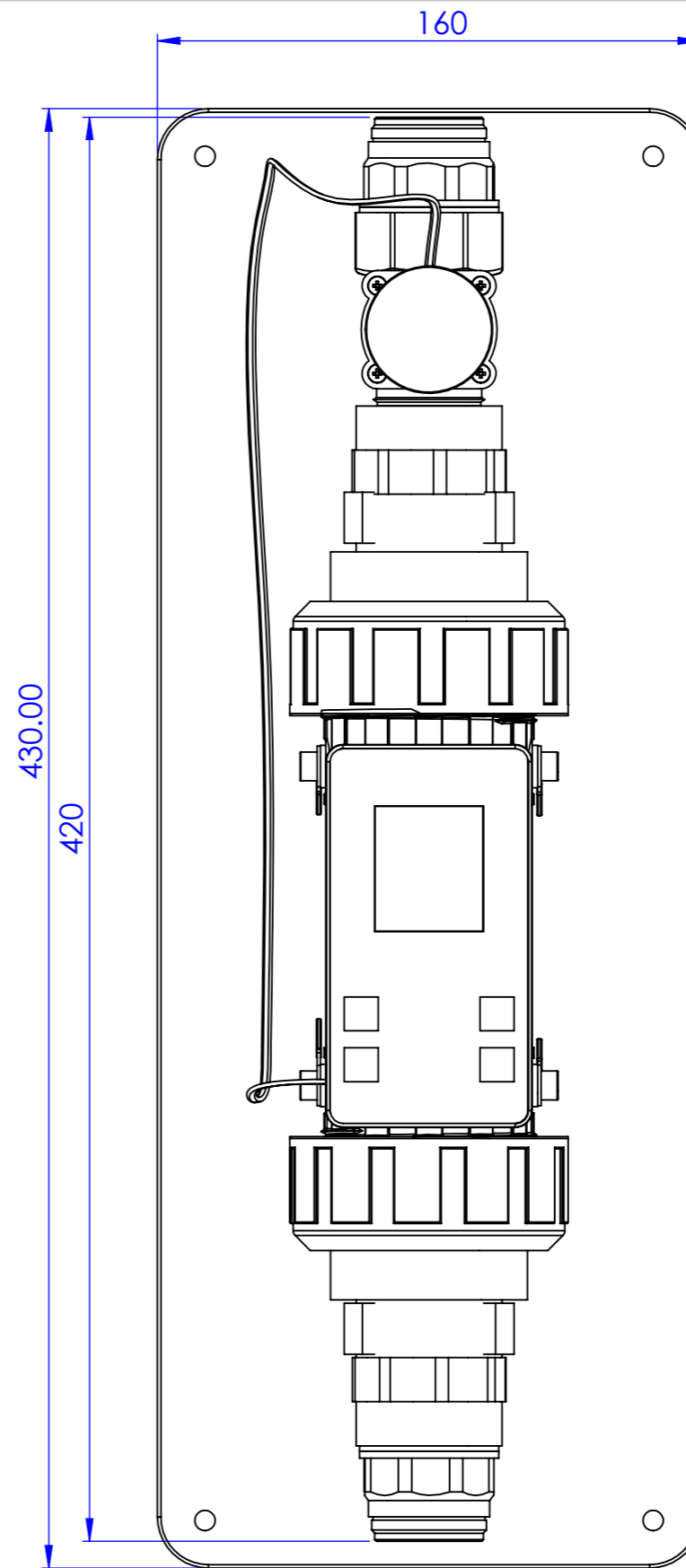
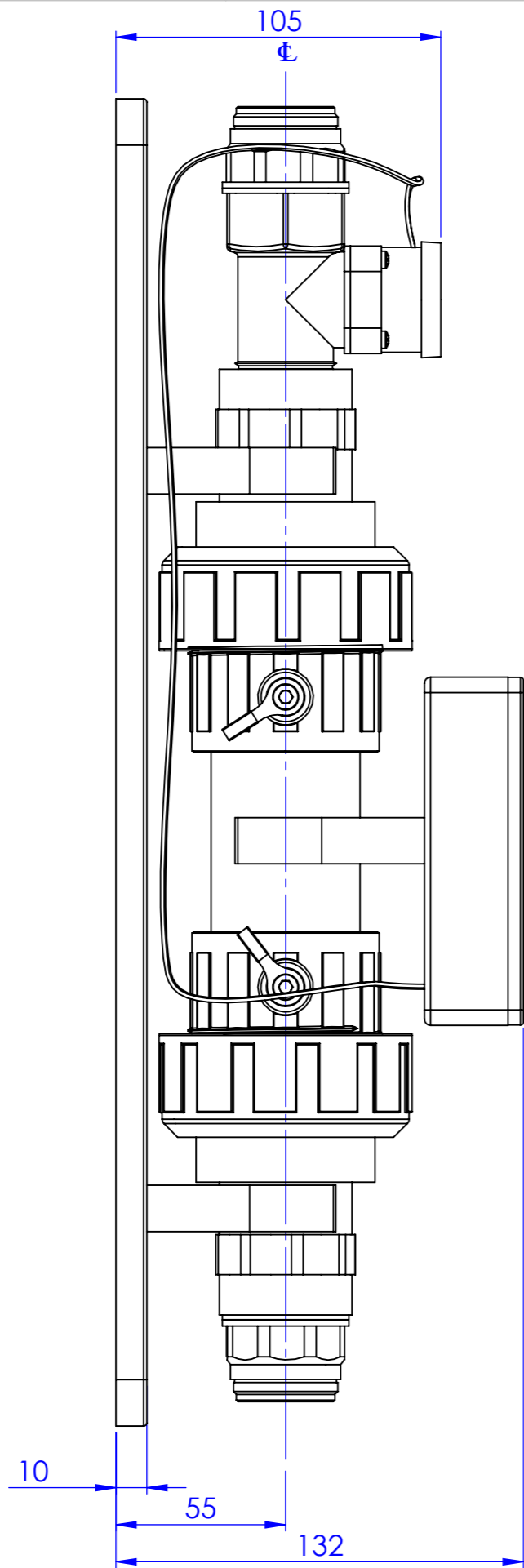


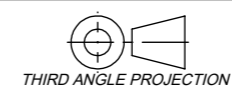
REVISION: B		DRAWING STATUS: For Review		PROJECT: 1337-1 - Ray Computer Unit - 3D Model	
	NAME	DATE	 THIRD ANGLE PROJECTION	 JENSEN CONSULTING	
DRAWN	TMH	21/03/2023			
CHECKED	TDJ	21/03/2023		TITLE: ProEconomy Ray Isometric View	
This drawing document is the property of Jensen Consulting Limited. It must not be copied, loaned or reproduced in any way, in part or whole without prior written consent. © 2019-20 All rights reserved.			General Tolerances to ISO 2768-m Indication of Surface Finish to EN ISO 1302 Dimensions are in Millimeters Debur and Break Sharp Edges Do not Scale Drawing		DWG NO. 1337-1-GA-100
WEIGHT:			MATERIAL:		7 Paynes Park, Hitchin Herts, SG5 1EH Tel: 01462 514 300 info@jensen-consulting.co.uk www.jensen-consulting.co.uk
FINISH:			FINISH:		



REVISION: B

	NAME	DATE
DRAWN	TMH	21/03/2023
CHECKED	TDJ	21/03/2023

DRAWING STATUS: For Review



This drawing document is the property of Jensen Consulting Limited. It must not be copied, loaned or reproduced in any way, in part or whole without prior written consent. © 2019-20 All rights reserved.

General Tolerances to ISO 2768-m
Indication of Surface Finish to EN ISO 1302
Dimensions are in Millimeters
Debur and Break Sharp Edges
Do not Scale Drawing

MATERIAL:

WEIGHT:

FINISH:



7 Paynes Park, Hitchin
Herts, SG5 1EH
Tel: 01462 514 300
info@jensen-consulting.co.uk
www.jensen-consulting.co.uk

PROJECT: 1337-1 - Ray Computer Unit - 3D Model

TITLE:
ProEconomy Ray
Isometric View

DWG NO.
1337-1-GA-200

SCALE:1:2

SIZE: A3

SHEET 2 OF 2